

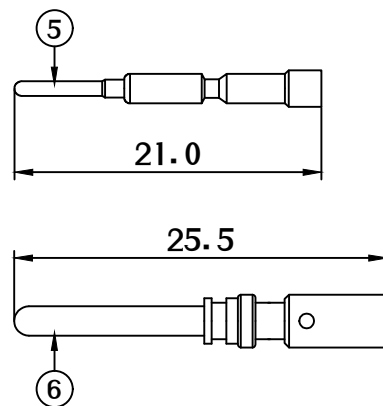
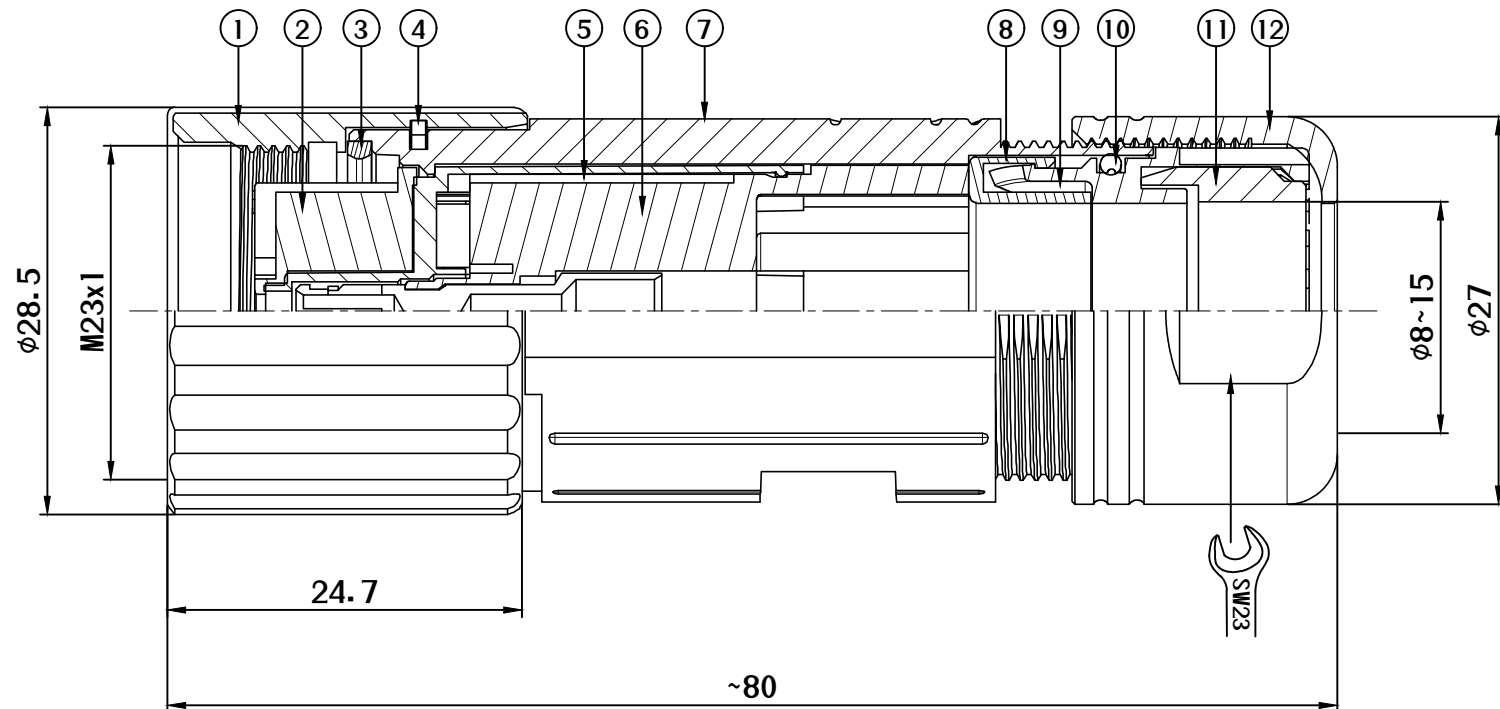
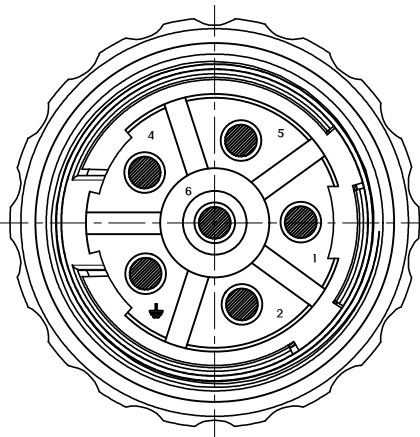
REV	ECN NO	DESCRIPTION	DATE	APPROVED
AA	-	NEW RELEASED	2020.03.25	CLARA

**Material:**

- M23 Thread: Copper Alloy, Plated Nickel
- Insulation Housing: PA, Magenta
- Seal Gasket: FKM, Green
- SNAP Ring: Copper Alloy, Plated Nickel
- Insulation Sleeve: PA, White
- Insulation Bracket: PA, Black
- Shell: Zinc Alloy, Plated Nickel
- Shield Ring: Copper Alloy, Plated Nickel
- Cable Clamp: PA, Black
- O-Ring: FKM, Green
- Seal Gasket: FKM, Green
- Pressing Nut: Copper Alloy, Plated Nickel
- Contact crimp: 4x $\phi$ 1.0, Copper Alloy, Plated Gold
- Contact crimp: 4x $\phi$ 2.0, Copper Alloy, Plated Gold

**Technical Data:**

- Standard: DIN 43650
- Rated Voltage: See Table 1
- Rated Current: See Table 1
- Rated Temperature:  $-40^{\circ}\text{C} \sim +80^{\circ}\text{C}$
- Durability:  $\geq 500$  Times Cycles
- Protection Degree: IP67 (Correct locking state)



Connector Table 1

Bomcan Part No.	Coding & Pins	Plug Pin out	Applicable AWG	Rated Current	Rated Voltage
M23A06PM05ST	A Code 6 Pin		2.5mm <sup>2</sup>	20A	630V AC/DC
M23A08PM05ST	A Code 8 Pin		1.5mm <sup>2</sup> 2.5mm <sup>2</sup>	8A 20A	250V AC/DC



UNMARKED TOLERANCES	
DIMENSIONS	TOLERANCE
x.	$\pm 1.0$
x.x	$\pm 0.5$
x.xx	$\pm 0.25$
0 to 500	$+15 / -0$
< 501	$+3\% / -0$ of length
ANGLES	
x°	$\pm 1^{\circ}$



This drawing contains information that is proprietary to BOMCAN and should not be used without written permission. Powered by bomcan.com

DESCRIPTION	M23 CABLE CONNECTOR POWER PLUG CRIMP CONACT FIELD ASSEMBLY		
DWG NO	M23AXXP05ST	BOMCAN PART No	M23AXXP05ST
DRAWN BY	CLARA 2020.03.25	CUSTOMER P/N	-
CHECKED BY	CALEB 2020.03.25	SIZE: A3	SHEET 1 of 1
APPROVED BY	BILL 2020.03.25	UNIT	mm
		SCALE	Free
		Third angle projection	